

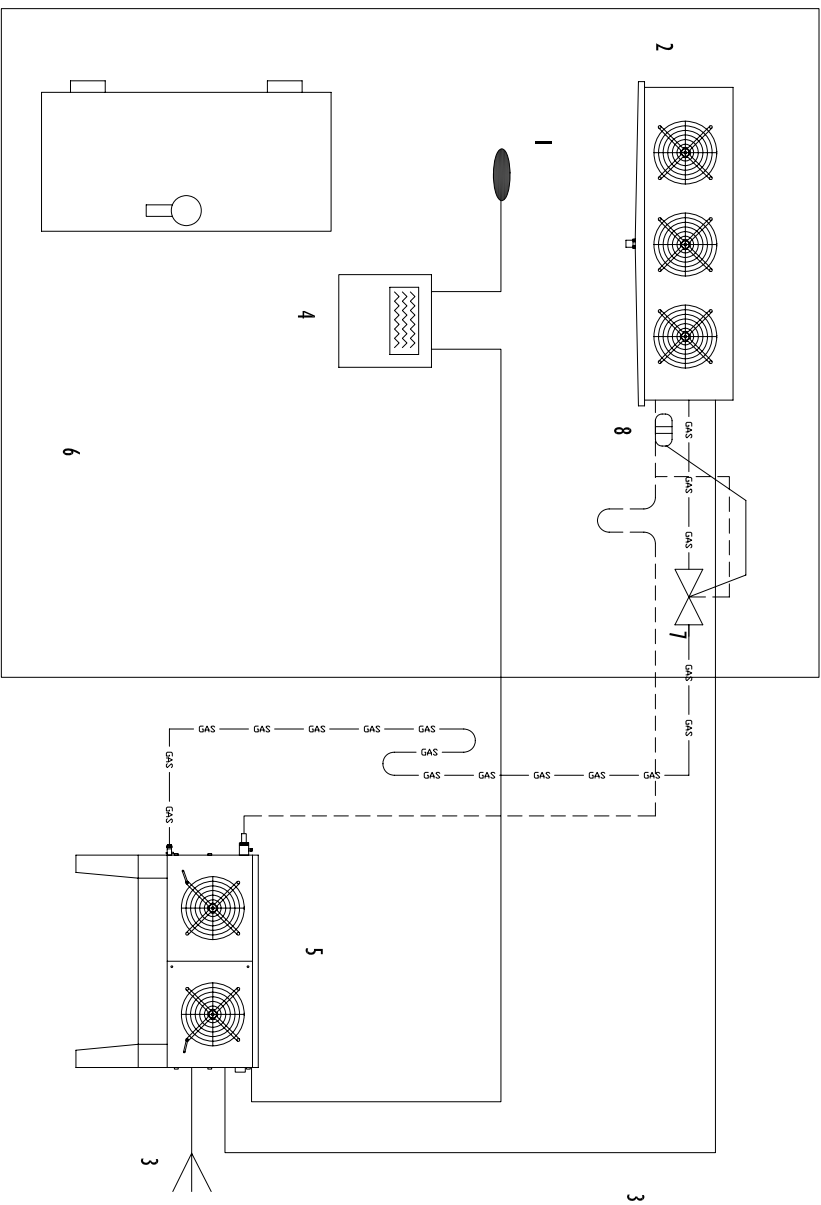
- 1 - Hook rail for meats
- 2 - Wall panel for partitions
- 3 - Monoblock refrigerating unit for ceiling installation
- 4 - Ceiling supporting structure
- 5 - Supporting plate for ceiling
- 6 - Pair of half- doors for hook rail passage
- 7 - Half- door
- 8 - Hole for hook rail passage
- 9 - Compensation valve

- 10 - Stainless steel antislip floor
- 11 - Panel with thermometer and switch for internal lighting
- 12 - Sliding door
- 13 - loading ramp
- 14 - Rubber currain
- 15 - Cold room control panel
- 16 - Split refrigerating units
- 17 - Mono block refrigerating unit for wall installation
- 18 - Drain

Connection diagram for the standard

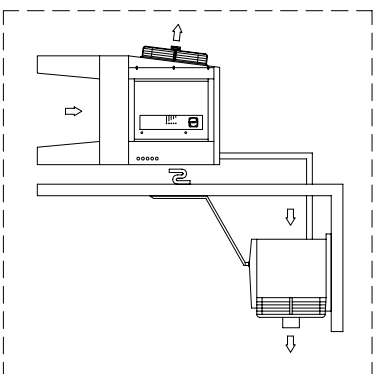
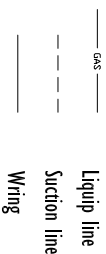
SXL632052

- Semi hermetic compressor
- Condensing unit with built-in electrical panel
- Grankcase heater
- Muffler on the compressor discharge
- Straight condencer made of copper tube and aluminium fins
- Axial fan motor with external rotor
- Liquid receiver
- Drier filter
- Sight glass
- High pressure switch with fixed setting and automatic reset
- Low pressure switch with adjustable setting and automatic reset
- Solenoid valve on the liquid line
- Nitrogen-pressurised condensing unit
- Shut-off valves connections to be welded
- Evaporator with electrical defrost
- Thermostatic valve
- Drain heater
- Separate control panel to be installed outside the cold room
- With control panel

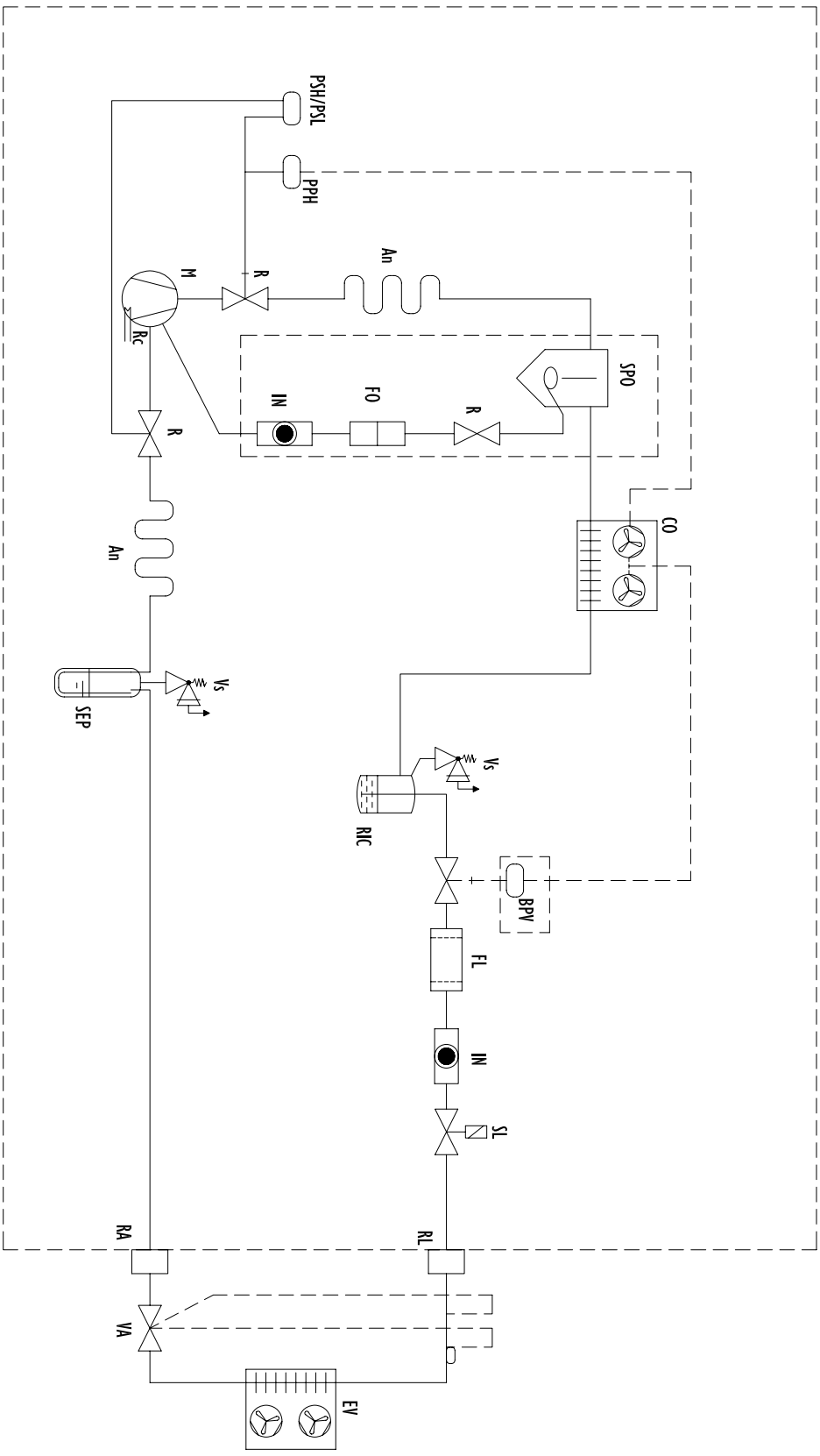


- 1 - Temperature probe
- 2 - Evaporater
- 3 - Power lead
- 4 - Cold room control panel

- 5 - Condensing unit
- 6 - Coldroom
- 7 - Thermostatic vaille
- 8 - Thermostatic vaille bulb



Refrigerating diagram



- CO - Condenser
- M - Compressor
- RIC - Liquid receiver
- R - Shut-off valve
- RL - Liquid shut-off valve
- RA - Suction shut-off valve
- SP0 - Oil separator with shut-off valve, oil filter and sight-glass (optional)
- PPH - Fan-motor control pressure switch

- PZMH* - Internal manual general HBP-safety pressure switch
- PSH/PSL - Dual pressure switch: automatic HBP, automatic LBP
- PZM/PSL* - Dual pressure switch: manual HBP, automatic LBP
- BPV - Condenser fan speed variator(optional)
- FL - Drier filter
- SL - Liquid line solenoid valve

- SL - Liquid line solenoid valve
- IN - Sight-glass
- An - Vibration damper
- SEP - Liquid separator
- Rc - Crumcase heater
- VS - Pressure relief valve
- EV - Evaporator
- VA - Thermostatic valve