

The SXM SPLIT SYSTEM line covers the many most common commercial refrigeration applications from cutting and preparation halls to positive and negative cold rooms up to 908m³

The split equipments consists of tow parts – the condenser unit and the evaporator unit. There two parts are interconnected when assembling. The advantage of SPLIT building method are in the fact that the condensation unit can be accommdated, whre it does not disturb with its mnoise and head development.

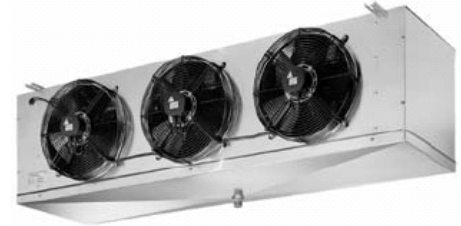
APPLICATION

Cover all type Commercial Refrigeration/ Cold room refrigerants R22, R134a, R404A

LOW TEMP : -15oC to -25oC

Series features

- Semi hermetic compressor*
- Condensing unit with built-in electrical panel;*
- Crankcase heater*
- Muffler on the compressor discharge*
- Straight condenser made of copper tube and aluminium fins*
- Axial fan motor with external rotor*
- Liquid receiver*
- Drier filter*
- Sight glass*
- High pressure switch with fixed setting and automatic reset*
- Low pressure switch with adjustable setting and automatic reset*
- Solenoid valve on the liquid line*
- Nitrogen-pressurised condensing unit*
- Shut-off valves connections to be welded*
- Evaporator with electrical defrost*
- Thermostatic valve*
- Drain heater*
- Separate control panel to be installed outside the cold room*
- With control panel*



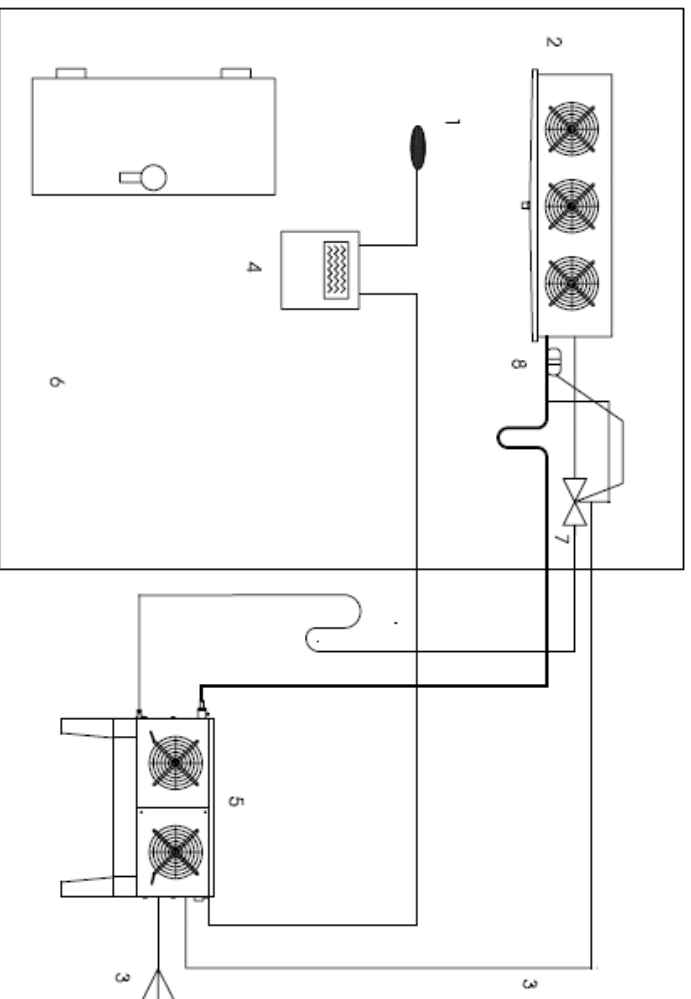
**Split system
For coldrooms**

Dimension of condensing

MODEL	Lmm	Wmm	Hmm
SXL235Z	1310	600	1165
SXL245Z	1560	750	1460
SXL250Z	1835	940	1575
SXL265Z	2715	990	1695
SXL363Z	3715	990	1695




LBP-Split SXL235Z032	6,835 euro
Cold room volume/thể tích kho 54,2 m3	
Cold room temp./nhiệt độ kho lạnh: -15°C/-25C R404A 380V	
Compressors split system./máy nguyên cụm: hp=3	
Evap. temp/nhiệt độ bay hơi -32°C Temp amb. +43°C UT: 3225W	
LBP-Split SXL235Z052	7,754 euro
Cold room volume/thể tích kho 68,0 m3	
Cold room temp./nhiệt độ kho lạnh: -15°C/-25C R404A 380V	
Compressors split system./máy nguyên cụm: hp=4	
Evap. temp/nhiệt độ bay hơi -32°C Temp amb. +43°C UT: 4019W	
LBP-Split SXL245Z022	8,411 euro
Cold room volume/thể tích kho 74,3 m3	
Cold room temp./nhiệt độ kho lạnh: -15°C/-25C R404A 380V	
Compressors split system./máy nguyên cụm: hp=5	
Evap. temp/nhiệt độ bay hơi -32°C Temp amb. +43°C UT: 4373W	
LBP-Split SXL245Z032	9,988 euro
Cold room volume/thể tích kho 110,2 m3	
Cold room temp./nhiệt độ kho lạnh: -15°C/-25C R404A 380V	
Compressors split system./máy nguyên cụm: hp=7,5	
Evap. temp/nhiệt độ bay hơi -32°C Temp amb. +43°C UT: 6388W	
LBP-Split SXL245Z052	11,458 euro
Cold room volume/thể tích kho 145,0 m3	
Cold room temp./nhiệt độ kho lạnh: -15°C/-25C R404A 380V	
Compressors split system./máy nguyên cụm hp=10	
Evap. temp/nhiệt độ bay hơi -32°C Temp amb. +43°C UT: 8267W	
LBP-Split SXL250Z032	13,622 euro
Cold room volume/thể tích kho 171,9 m3	
Cold room temp./nhiệt độ kho lạnh: -15°C/-25C R404A 380V	
Compressors split system./máy nguyên cụm hp=15	
Evap. temp/nhiệt độ bay hơi -32°C Temp amb. +43°C UT: 9575W	
LBP-Split SXL250Z042	15,607 euro
Cold room volume/thể tích kho 219,1 m3	
Cold room temp./nhiệt độ kho lạnh: -15°C/-25C R404A 380V	
Compressors split system./máy nguyên cụm hp=15	
Evap. temp/nhiệt độ bay hơi -32°C Temp amb. +43°C UT:11939W	
LBP-Split SXL250Z052	16,741 euro
Cold room volume/thể tích kho 269,3 m3	
Cold room temp./nhiệt độ kho lạnh: -15°C/-25C R404A 380V	
Compressors split system./máy nguyên cụm hp=20	
Evap. temp/nhiệt độ bay hơi -32°C Temp amb. +43°C UT:14352W	
LBP-Split SXL256Z042	20,614 euro
Cold room volume/thể tích kho 341,3 m3	
Cold room temp./nhiệt độ kho lạnh: -15°C/-25C R404A 380V	
Compressors split system./máy nguyên cụm hp=25	
Evap. temp/nhiệt độ bay hơi -32°C Temp amb. +43°C UT:17683W	
LBP-Split SXL256Z052	23,299 euro
Cold room volume/thể tích kho 422,6 m3	
Cold room temp./nhiệt độ kho lạnh: -15°C/-25C R404A 380V	
Compressors split system./máy nguyên cụm hp=30	
Evap. temp/nhiệt độ bay hơi -32°C Temp amb. +43°C UT: 21269 W	
LBP-Split SXL363Z042	33,089 euro
Cold room volume/thể tích kho 533,5 m3	
Cold room temp./nhiệt độ kho lạnh: -15°C/-25C R404A 380V	
Compressors split system./máy nguyên cụm hp=40	
Evap. temp/nhiệt độ bay hơi -32°C Temp amb. +43°C UT: 25947 W	
LBP-Split SXL363Z052	37,771 euro
Cold room volume/thể tích kho 690,7 m3	
Cold room Temperature: -15°C/-25C R404A 380V	
Compressors split system./máy nguyên cụm hp=50	
Evap. temp/nhiệt độ bay hơi -32°C Temp amb. +43°C UT: 31847 W	

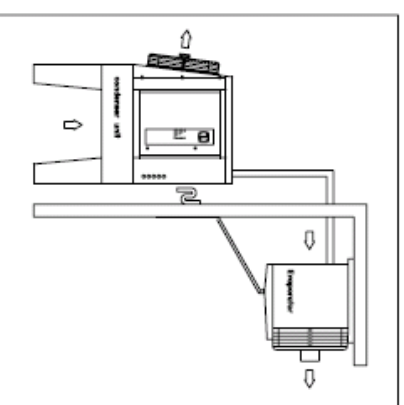
Connection diagram for the standard



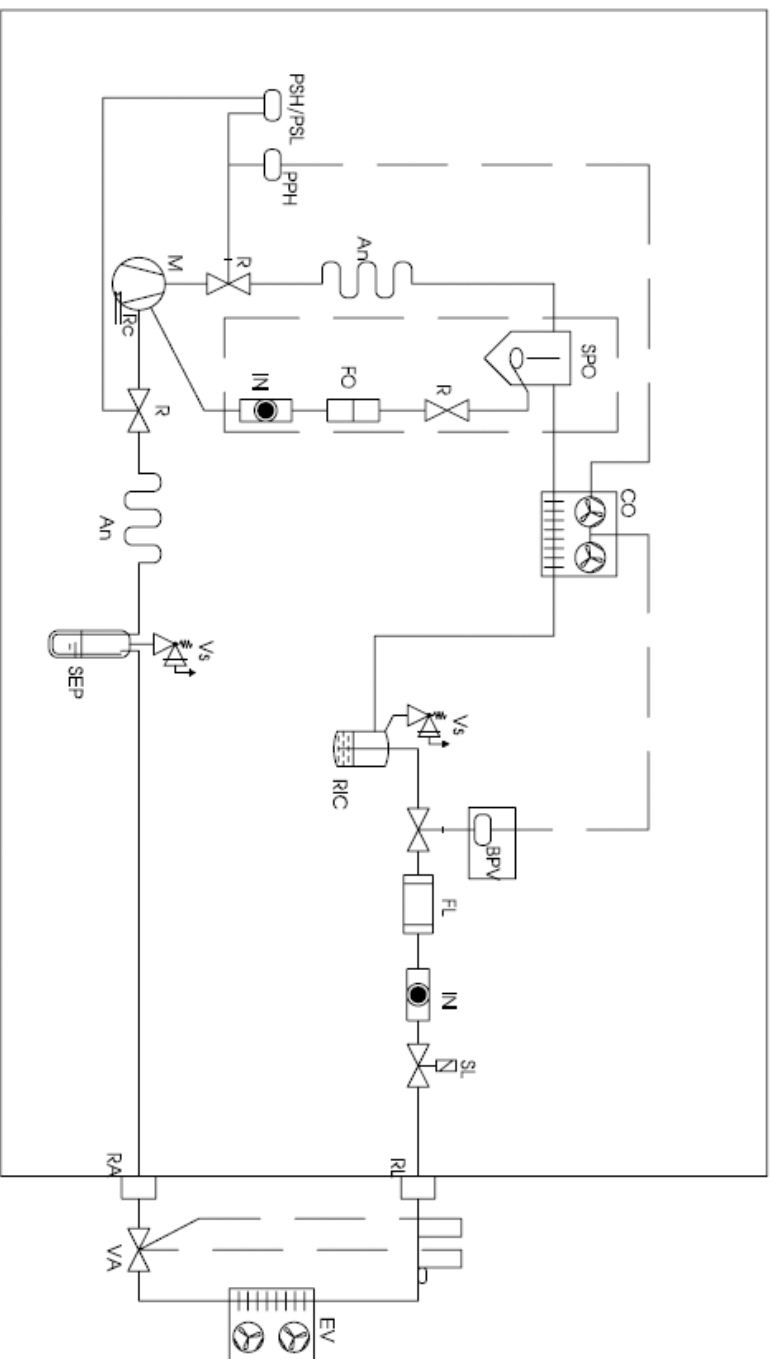
- 1 - Temperature probe
- 2 - Evaporator
- 3 - Power lead
- 4 - Cold room control panel

- 5 - Condensing unit
- 6 - Coldroom
- 7 - Thermostatic valve
- 8 - Thermostatic valve bulb

 Liquid line
 Suction line
 Wiring



- Mod. SXM250Z052**
- Semi hermetic compressor
 - Condensing unit with built-in electrical panel
 - Crankcase heater
 - Muffler on the compressor discharge
 - Straight condenser made of copper tube and aluminium fins
 - Axial fan motor with external rotor
 - Liquid receiver
 - Drier filter
 - Sight glass
 - High pressure switch with fixed setting and automatic reset
 - Low pressure switch with adjustable setting and automatic reset
 - Solenoid valve on the liquid line
 - Nitrogen-pressurised condensing unit
 - Shut-off valves connections to be welded
 - Evaporator with electrical defrost
 - Thermostatic valve
 - Drain heater
 - Separate control panel to be installed outside the cold room
 - With control panel



- CO - Condenser
- M - Compressor
- RL - Liquid receiver
- R - Shut-off valve
- RL - Liquid shut-off valve
- RA - Suction shut-off valve
- SPO - Oil separator with shut-off valve, oil filler and sight-glass (optional)
- PPH - Fan-motor control pressure switch

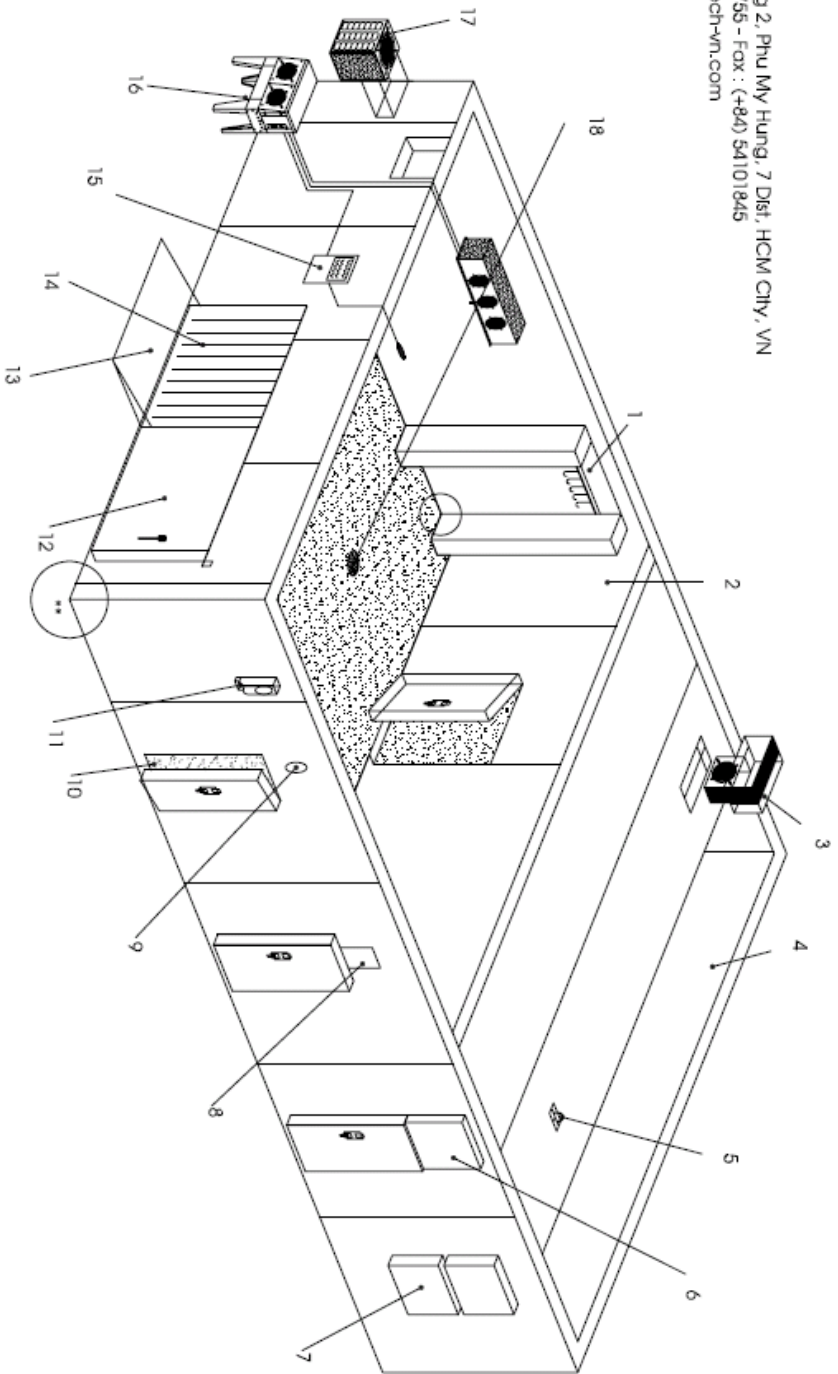
- PZH* - Internal manual general HBP-safety pressure switch
- PSH/PSL - Dual pressure switch: automatic HBP; utomatic LBP
- PZH/PSL* - Dual pressure switch: manual HBP; automatic LBP
- BPV - Condenser fan speed variator(optional)
- FL - Drier filter
- SL - Liquid line solenoid valve

- SL - Liquid line solenoid valve
- IN - Sight-glass
- An - Vibration damper
- SEP - Liquid separator
- Rc - Crankcase heater
- VS - Pressure relief valve
- EV - Evaporator
- VA - Thermostatic valve

M&E: COLD STORAGE CONSTRUCTION

ASTECH®

S39/1 Hung Vuong 2, Phu My Hung, 7 Dist, HCM CITY, VN
Tel : (+84) 54102755 - Fax : (+84) 54101845
Email : sales@astech-vn.com



- 1 - Hook rail for meats
- 2 - Wall panel for partitions
- 3 - Monoblock refrigerating unit for ceiling installation
- 4 - Ceiling supporting structure
- 5 - Supporting plate for ceiling
- 6 - Pair of half- doors for hook rail passage
- 7 - Half- door
- 8 - Hole for hook rail passage
- 9 - Compensation valve

- 10 - Stainless steel antislip floor
- 11 - Panel with thermometer and switch for internal lighting
- 12 - Sliding door
- 13 - Loading ramp
- 14 - Rubber curtain
- 15 - Cold room control panel
- 16 - Split refrigerating units Mod.SX
- 17 - Mono block refrigerating unit for wall installation
- 18 - Drain

