

The SXM SPLIT SYSTEM line covers the many most common commercial refrigeration applications from cutting and preparation halls to positive and negative cold rooms up to 908m3

The split equipments consists of tow parts – the condenser unit and the evaporator unit. There two parts are interconnected when assembling. The advantage of SPLIT building method are in the fact that the condensation unit can be accommdated, whre it doers not disturb with its mnoise and head development.

APPLICATION

Cover all type Commercial Refrigeration/ Cold room refrigerants R22, R134a, R404A

MEDIUM TEMP : -5oC to +5oC

Series features

- Semi hermetic compressor*
- Condensing unit with built-in electrical panel;*
- Crankcase heater*
- Muffler on the compressor discharge*
- Straight condenser made of copper tube and aluminium fins*
- Axial fan motor with external rotor*
- Liquid receiver*
- Drier filter*
- Sight glass*
- High pressure switch with fixed setting and automatic reset*
- Low pressure switch with adjustable setting and automatic reset*
- Solenoid valve on the liquid line*
- Nitrogen-pressurised condensing unit*
- Shut-off valves connections to be welded*
- Evaporator with electrical defrost*
- Thermostatic valve*
- Drain heater*
- Separate control panel to be installed outside the cold room*
- With control panel*



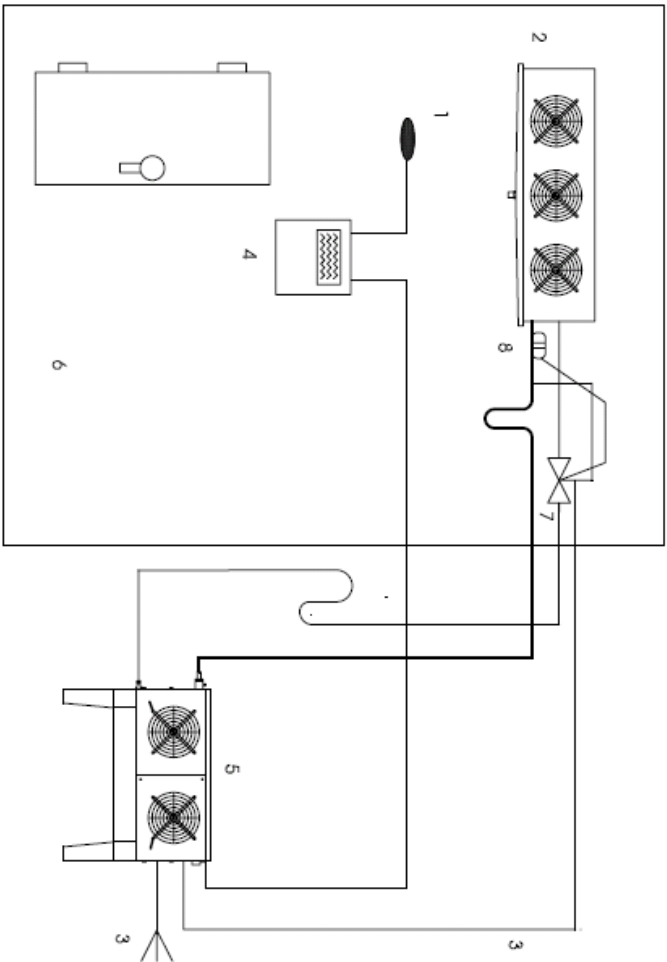
**Split system
For coldrooms**

Dimension of condensing

MODEL	L	W	H
SXM235Z	1310	600	1165
SXM245Z	1560	750	1460
SXM250Z	1835	940	1575
SXM265Z	2715	990	1695
SXM363Z	3715	990	1695

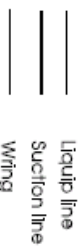
MBP-Split SXM235Z022	5,426 Euro
Cold room volume/Thể tích kho lạnh 33,3 m3	
Cold room temp./nhiệt độ kho : -5°C/+5°C R404A 380V/50HZ	
Compressors Splits system : 1,5Hp	
Evap temp./nhiệt độ bay hơi -5°C temp amb. +43°C Cap: 3354 W/50HZ	
MBP-Split SXM235Z032	5,947 euro
Cold room volume/Thể tích kho lạnh 49,8 m3	
Cold room temp./nhiệt độ kho : -5°C/+5°C R404A 380V/50HZ	
Compressors Split system: 1,5Hp	
Evap temp./nhiệt độ bay hơi -5°C temp amb. +43°C Cap: 4481 W	
MBP-Split SXM235Z042	6,409 euro
Cold room volume/Thể tích kho lạnh 58,1 m3	
Cold room temp./nhiệt độ kho : -5°C/+5°C R404A 380V/50HZ	
Compressors Split system: 2Hp	
Evap temp./nhiệt độ bay hơi -5°C temp amb. +43°C Cap: 5033 W	
MBP-Split SXM245Z022	8,705 euro
Cold room volume/Thể tích kho lạnh 103,3 m3	
Cold room temp./nhiệt độ kho : -5°C/+5°C R404A 380V/50HZ	
Compressors Split system: 4Hp	
Evap temp./nhiệt độ bay hơi -5°C temp amb. +43°C Cap: 7912 W	
MBP-Split SXM245Z032	9,696 euro
Cold room volume/Thể tích kho lạnh 136,5 m3	
Cold room temp./nhiệt độ kho : -5°C/+5°C R404A 380V/50HZ	
Compressors Split system: 5Hp	
Evap temp./nhiệt độ bay hơi -5°C temp amb. +43°C Cap: 9851 W	
MBP-Split SXM245Z042	10,391 euro
Cold room volume/Thể tích kho lạnh 175,8 m3	
Cold room temp./nhiệt độ kho : -5°C/+5°C R404A 380V/50HZ	
Compressors Split system: 5hp	
Evap temp./nhiệt độ bay hơi -5°C temp amb. +43°C Cap: 12122 W	
MBP-Split SXM245Z052	10,943 euro
Cold room volume/Thể tích kho lạnh 200,9 m3	
Cold room temp./nhiệt độ kho : -5°C/+5°C R404A 380V/50HZ	
Compressors Split system:7,5hp	
Evap temp./nhiệt độ bay hơi -5°C temp amb. +43°C Cap: 13540 W	
MBP-Split SXM250Z042	12,977 euro
Cold room volume/Thể tích kho lạnh 264,9 m3	
Cold room temp./nhiệt độ kho : -5°C/+5°C R404A 380V/50HZ	
Compressors Split system:7,5hp	
Evap temp./nhiệt độ bay hơi -5°C temp amb. +43°C Cap: 17153 W	
MBP-Split SXM250Z052	14,175 euro
Cold room volume/Thể tích kho lạnh 317,0 m3	
Cold room temp./nhiệt độ kho : -5°C/+5°C R404A 380V/50HZ	
Compressors Split system: 10hp	
Evap temp./nhiệt độ bay hơi -5°C temp amb. +43°C Cap: 19892 W	
MBP-Split SXM256Z032	16,601 euro
Cold room volume/Thể tích kho lạnh 405,6 m3	
Cold room temp./nhiệt độ kho : -5°C/+5°C R404A 380V/50HZ	
Compressors Split system: 15hp	
Evap temp./nhiệt độ bay hơi -5°C temp amb. +43°C Cap: 24572 W	
MBP-Split SXM256Z042	18,190 euro
Cold room volume/Thể tích kho lạnh 491,3 m3	
Cold room temp./nhiệt độ kho : -5°C/+5°C R404A 380V/50HZ	
Compressors Split system: 20hp	
Evap temp./nhiệt độ bay hơi -5°C temp amb. +43°C Cap: 29030 W	
MBP-Split SXM256Z052	22,176 euro
Cold room volume/Thể tích kho lạnh 605,1 m3	
Cold room temp./nhiệt độ kho : -5°C/+5°C R404A 380V/50HZ	
Compressors Split system: 25hp	
Evap temp./nhiệt độ bay hơi -5°C temp amb. +43°C Cap: 34860 W	
MBP-Split SXM363Z042	26,176 euro
Cold room volume/Thể tích kho lạnh 741,5 m3	
Cold room temp./nhiệt độ kho : -5°C/+5°C R404A 380V/50HZ	
Compressors Split system: 30hp	
Evap temp./nhiệt độ bay hơi -5°C temp amb. +43°C Cap: 41758 W	

Connection diagram for the standard



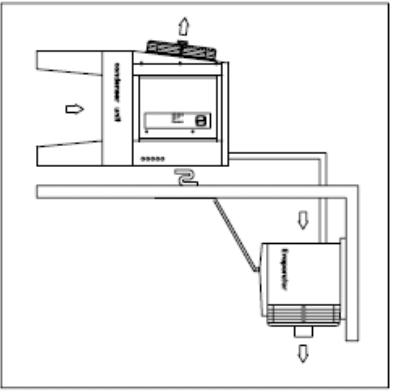
- 1 - Temperature probe
- 2 - Evaporator
- 3 - Power lead
- 4 - Cold room control panel

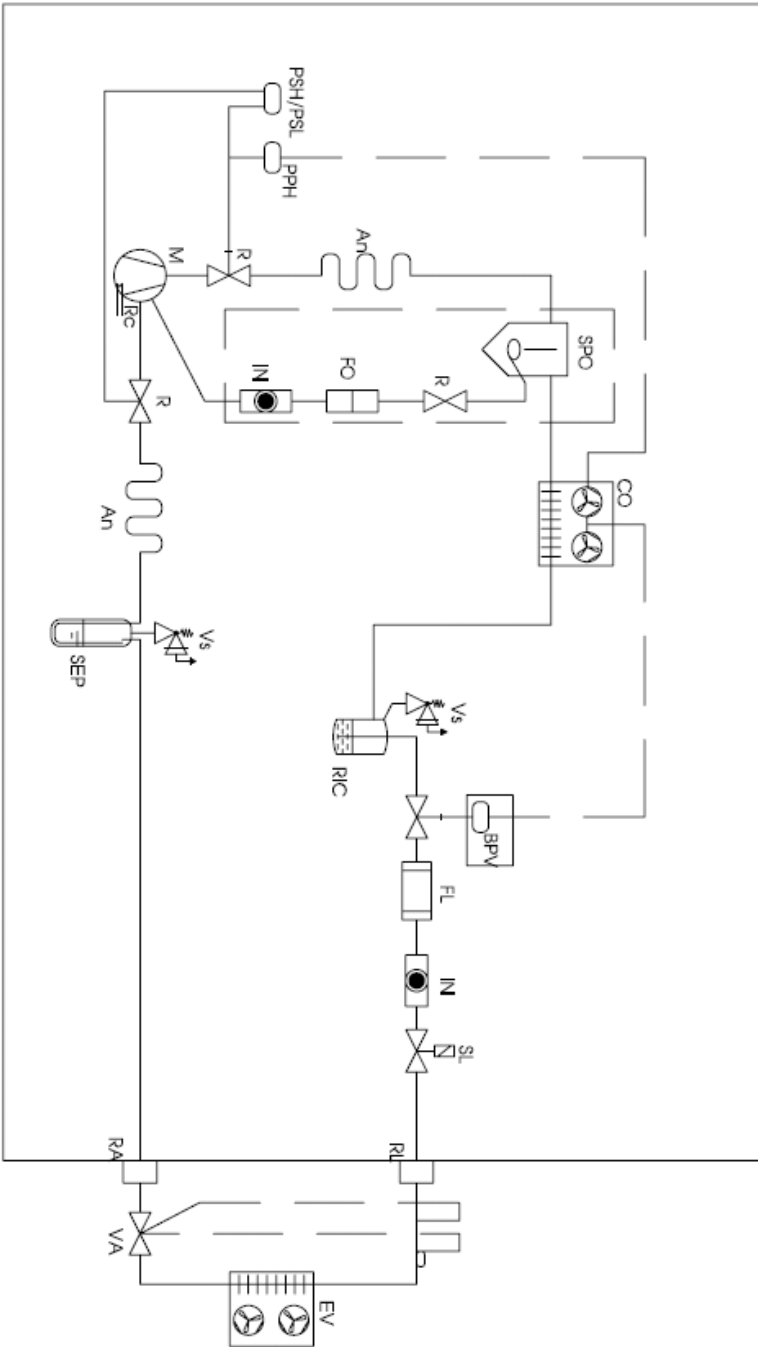
- 5 - Condensing unit
- 6 - Coldroom
- 7 - Thermostatic valve
- 8 - Thermostatic valve bulb



Mod. SXM250Z052

- Semi hermetic compressor
- Condensing unit with built-in electrical panel
- Crankcase heater
- Muffler on the compressor discharge
- Straight condenser made of copper tube and aluminium fins
- Axial fan motor with external rotor
- Liquid receiver
- Drier filter
- Sight glass
- High pressure switch with fixed setting and automatic reset
- Low pressure switch with adjustable setting and automatic reset
- Solenoid valve on the liquid line
- Nitrogen-pressurised condensing unit
- Shut-off valves connections to be welded
- Evaporator with electrical defrost
- Thermostatic valve
- Drain heater
- Separate control panel to be installed outside the cold room
- With control panel





- CO - Condenser
- M - Compressor
- RL - Liquid receiver
- R - Shut-off valve
- RA - Liquid shut-off valve
- RL - Suction shut-off valve
- SPO - Oil separator with shut-off valve, oil filter and sight-glass (optional)
- PPH - Fan-motor control pressure switch

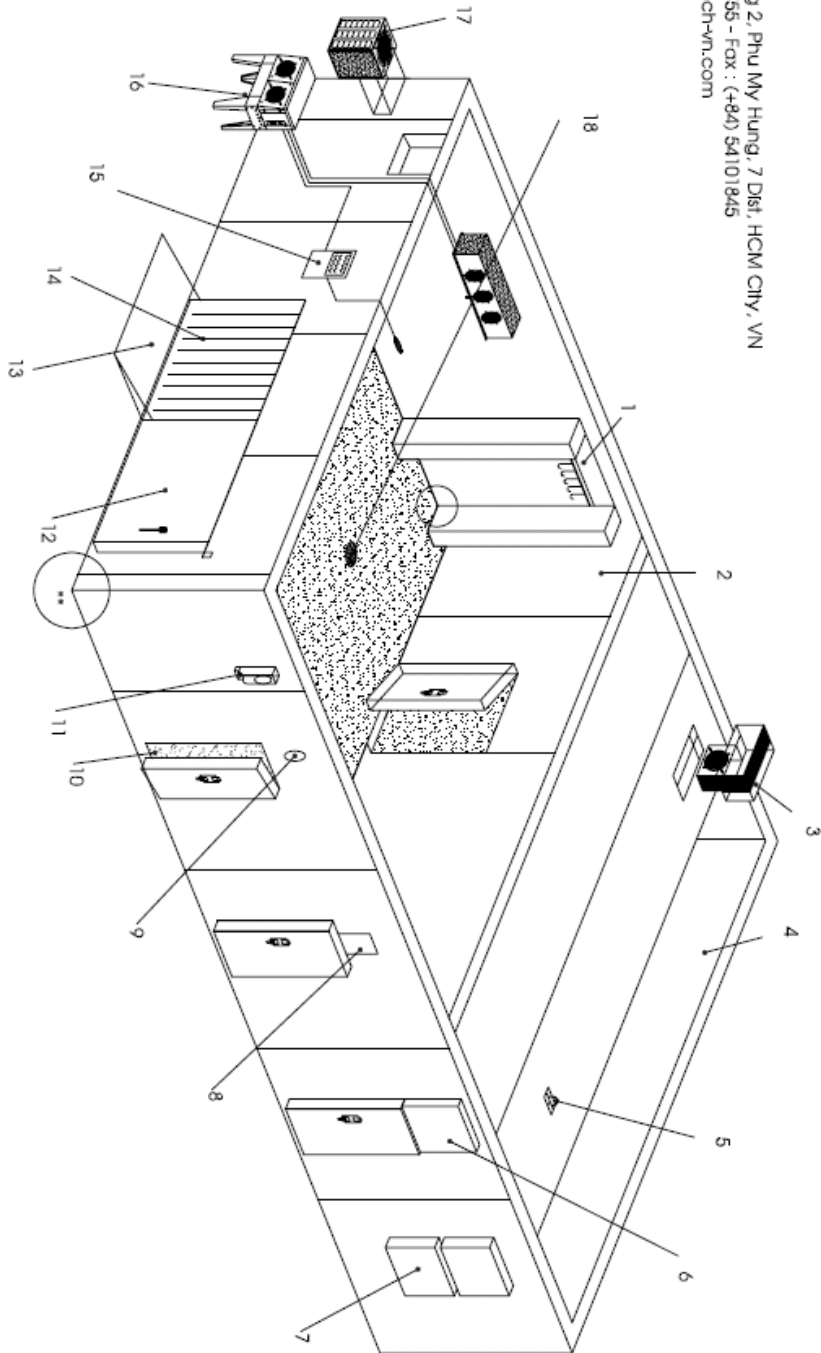
- PZH* - Internal manual general HBP-safety pressure switch
- PSH/PSL - Dual pressure switch:
- automatic HBP: automatic LBP
- PZH/PZL* - Dual pressure switch:
- manual HBP: automatic LBP
- BPV - Condenser fan speed variator (optional)
- FL - Drier filter
- SL - Liquid line solenoid valve

- SL - Liquid line solenoid valve
- IN - Sight-glass
- AN - Vibration damper
- SEP - Liquid separator
- Rc - Crankcase heater
- VS - Pressure relief valve
- EV - Evaporator
- VA - Thermostatic valve

WARE: COLD STORAGE CONSTRUCTION

ASTECH®

S39/1 Hung Vuong 2, Phu My Hung, 7 Dist, HCM CITY, VN
Tel : (+84) 54102755 - Fax : (+84) 54101845
Email : sales@astech-vn.com



- 1 - Hook rail for meats
- 2 - Wall panel for partitions
- 3 - Monoblock refrigerating unit for ceiling installation
- 4 - Ceiling supporting structure
- 5 - Supporting plate for ceiling
- 6 - Pit of half- doors for hook rail passage
- 7 - Half- door
- 8 - Hole for hook rail passage
- 9 - Compensation valve

- 10 - Stainless steel antislip floor
- 11 - Panel with thermometer and switch for internal lighting
- 12 - Sliding door
- 13 - Loading ramp
- 14 - Rubber curtain
- 15 - Cold room control panel
- 16 - Split refrigerating units Mod.SX
- 17 - Mono block refrigerating unit for wall installation
- 18 - Drain

