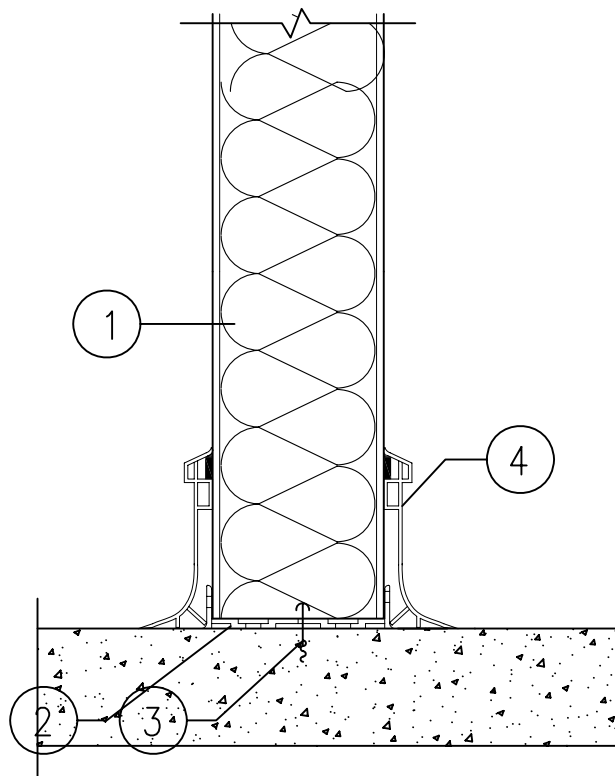


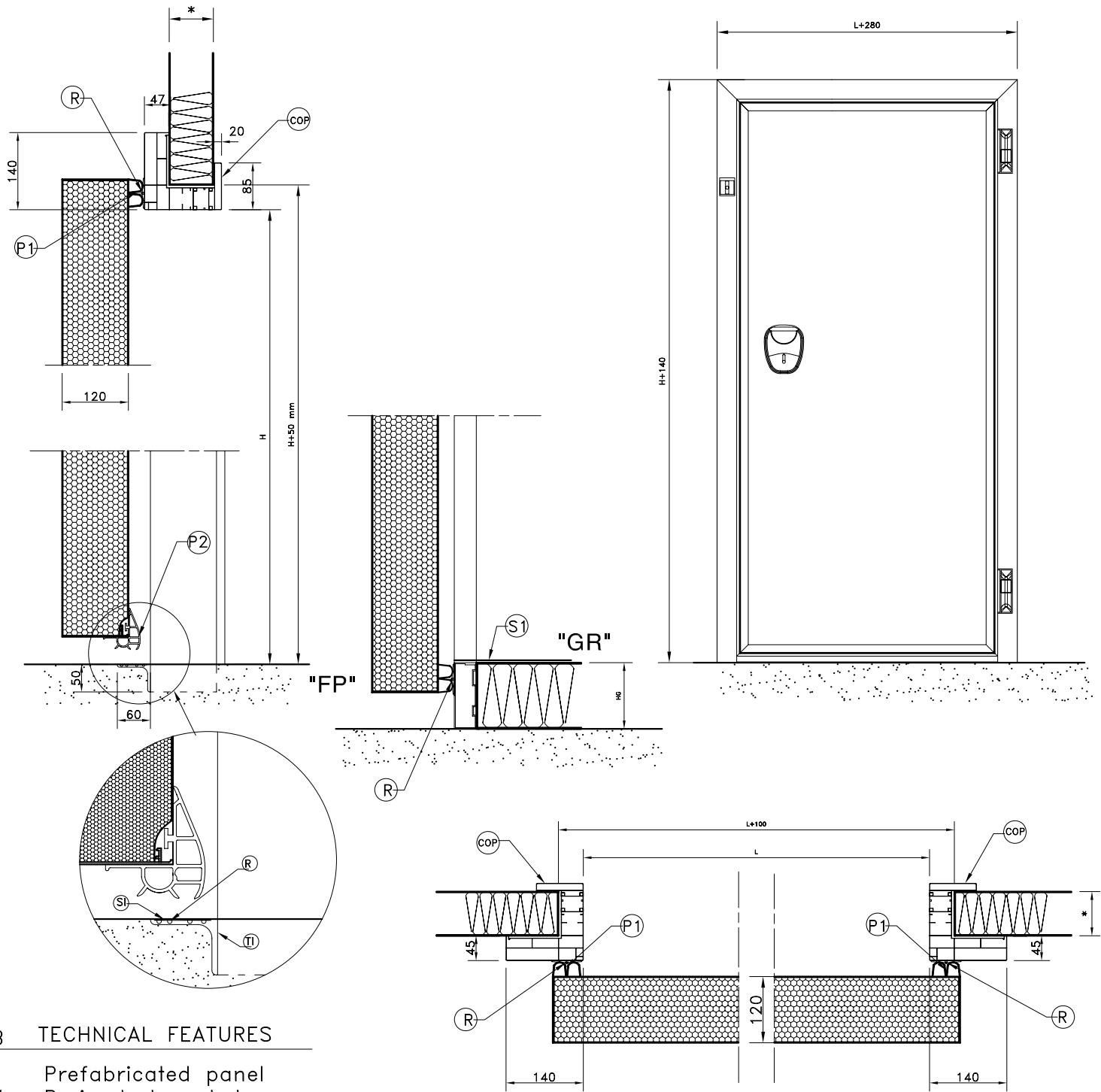
- 1- Cool room/clean room panel (PCGL)
- 2a- PVC fixing profile (aluminium for clean room)
- 2b- Corner profile pvc (aluminium for clean room)
- 3- self drilling screw
- 4- saw jointing corner ()
- 5- pur-foam (foam PU)



- 1 - CR, Polyurethane panel
- 2 - PVC U80 channel
- 3 - Nailplug - M8
- 4 - Plinth PVC profile

The Panels Clean room will have 0.8mm powder coated galvanized sheet face on both sides, polyester lacquer RAL 9002 of 25 micron and revovable protected film.

| | | | | |
|---|-------------|-----------|------------------------------|-------------|
| <div style="border: 1px solid black; padding: 10px; font-size: 24px; font-weight: bold;">ASTECH Corp.</div> | dis./drw | data/date | rev./rev. | data/date |
| | E.E. | 10.11.04 | 1 | |
| | | | scala/scale | modif/modif |
| | | | / / | |
| denominazione / denomination | appr./appr. | data/date | DIS. N° DWG. N° 01.02.004 | |
| WALL DETAIL | L.B. | 10.11.04 | | |



GB TECHNICAL FEATURES

- * Prefabricated panel
- P1 Perimetral gasket
- P2 Lower gasket
- TI Theshold
- SI INOX stainless steel threshold
- GR Thershold with step
- R Heangting cable
- FP Threshold at floor level
- COP Counter-frame in alumunium profile

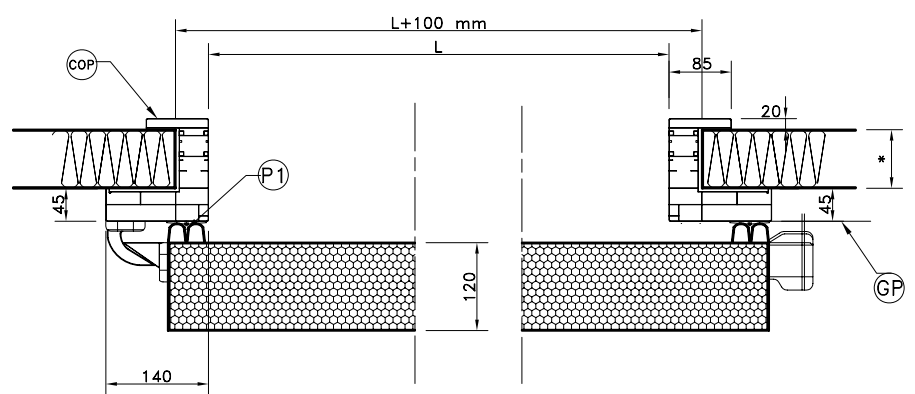
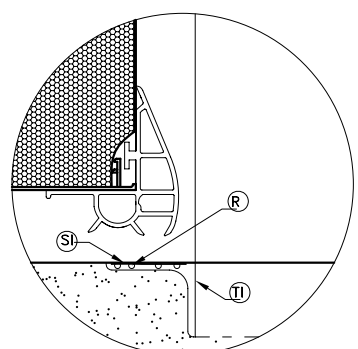
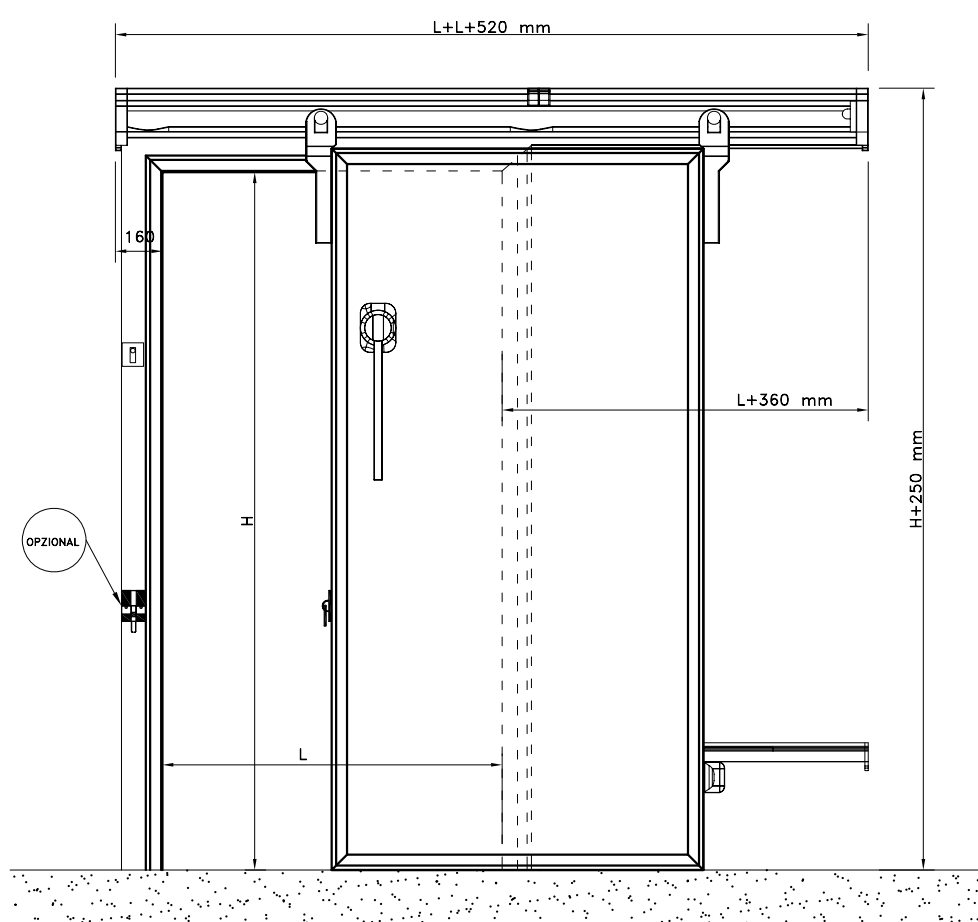
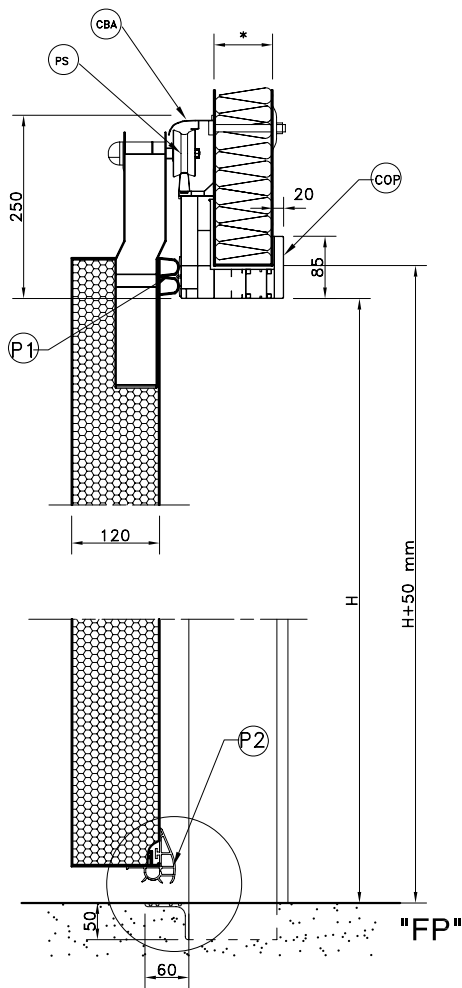
ASTECH Corp.

| | | | |
|----------|-----------|-------------|-------------|
| dis./drw | data/date | rev./rev. | data/date |
| E.E. | 10.11.99 | 1 | |
| | | scala/scale | modif/modif |
| | | / / | |

denominazione / denomination
 DOOR DETAIL
 HINGED DOORS Mod.740/LWT -

| | |
|-------------|-----------|
| appr./appr. | data/date |
| L.B. | 10.11.99 |

DIS. N°
 DWG. N° 01.02.004



GB TECHNICAL FEATURES

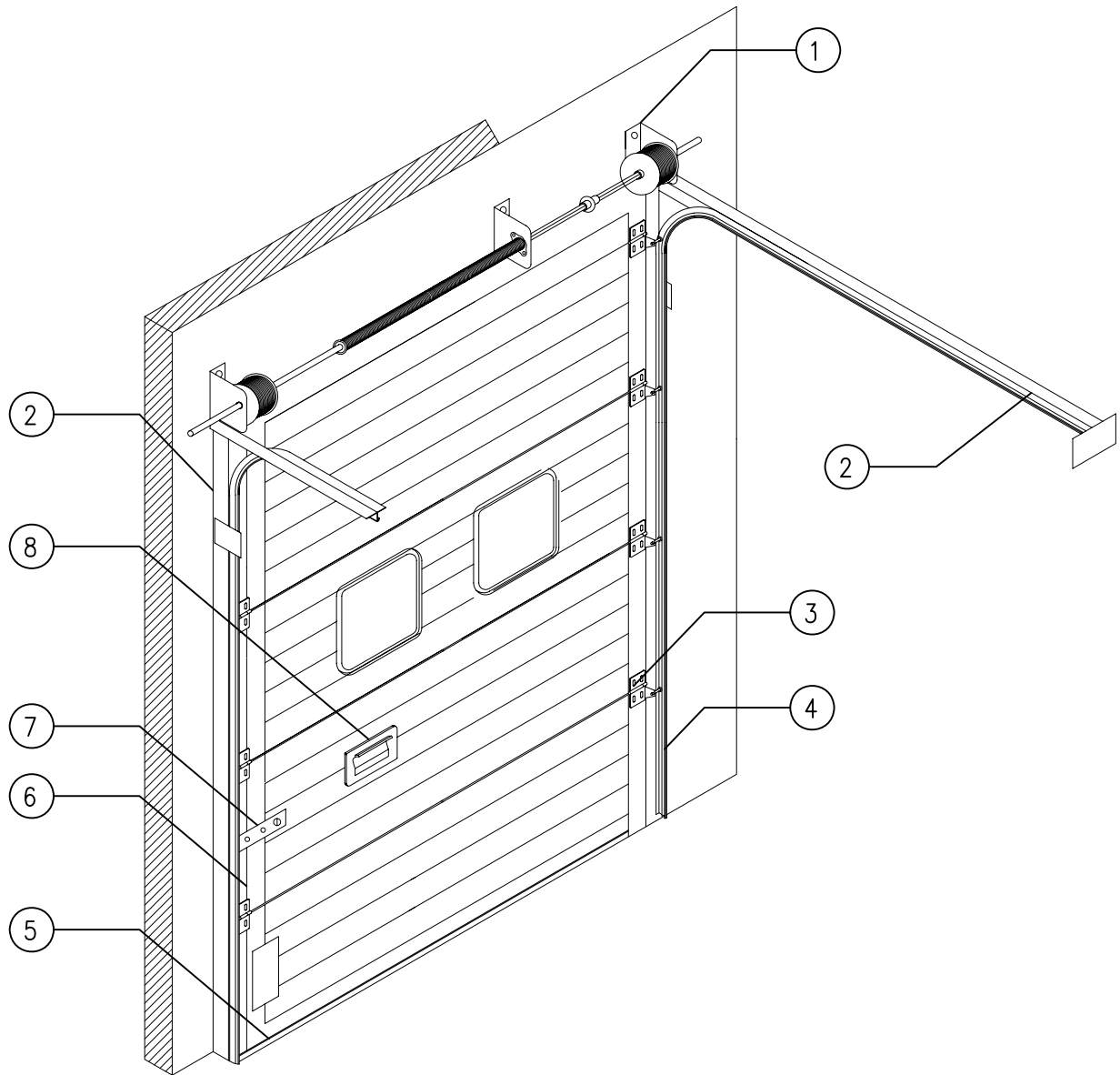
- * Prefabricated panel
- P1 Perimetral gasket
- P2 Lower gasket
- TI Theshold
- GP rear runner inaluminium profile
- PS Sliding wheels
- CBA Aluminium track cover
- COP Counter-frame in aluminium profile
- FP Threshold at floor level
- R Heating cable
- SI Stainless steel plante

ASTECH Corp.

| | | | |
|-------------|-----------|------------------------------|-------------|
| dis./drw | data/date | rev./rev. | data/date |
| E.E. | 10.11.99 | 1 | |
| | | scala/scale | modif/modif |
| | | / / | |
| appr./appr. | data/date | DIS. N° DWG. N° 01.02.004 | |
| L.B. | 10.11.99 | | |

denominazione / documents

DOOR DETAIL
SLIDING DOORS Mod.480/LWT



TECHNICAL FEATURES

- ① - Frame of door
- ② - Horizontal/vertical guide rail
- ③ - Hinge
- ④ - Horizontal/vertical guide rail
- ⑤ - Profile base
- ⑥ - Profile of isolating panel
- ⑦ - Lock
- ⑧ - Handle

ASTECH Corp.

dis./drw

E.E.

data/date

10.11.99

rev./rev.

1

scala/scale

/ /

data/date

modif/modif

denominazione / documents

DOOR DETAIL
SECTION DOORS

appr./appr.

L.B.

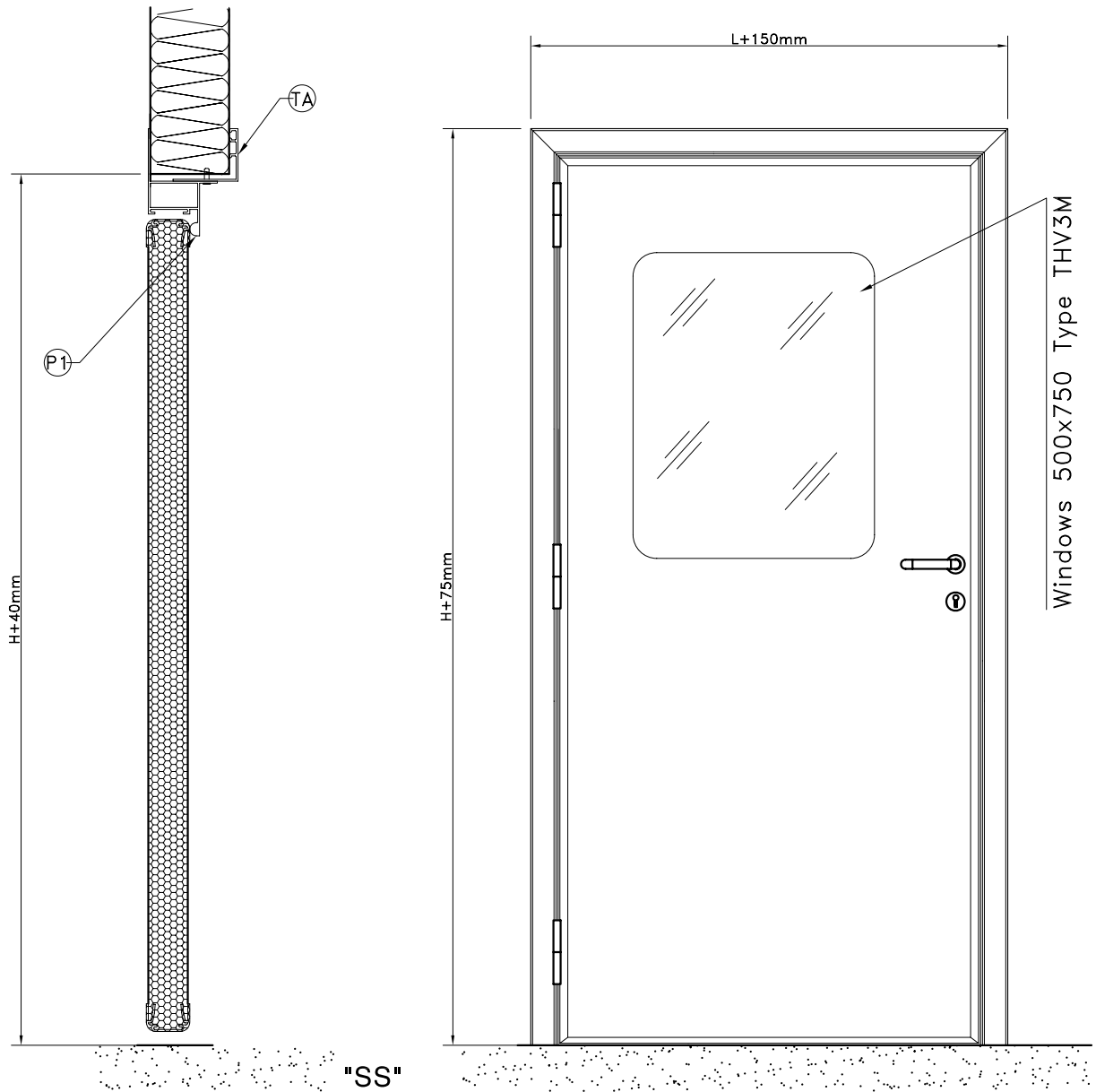
data/date

10.11.99

DIS. N°

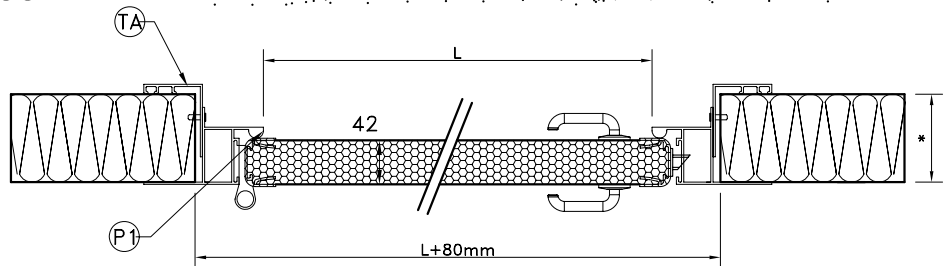
DWG. N°

01.02.004



GB TECHNICAL FEATURES

- * Prefabricated panel
- P1 Perimetral gasket
- TA Adjustable frame 40/100 mm
- SS Without threshold



ASTECH Corp.

| | | | |
|---------------------------------|-------------|-------------------|-------------|
| dis./drw | data/date | rev./rev. | data/date |
| E.E. | 10.11.04 | 1 | |
| | | scala/scale | modif/modif |
| | | / / | |
| denominazione / documents | appr./appr. | data/date | |
| DOOR DETAIL | L.B. | 10.11.04 | |
| OFFICE STYPE - CLEAN ROOM DOORS | | | |
| | | DIS. N° 01.02.004 | |
| | | DWG. N° | |